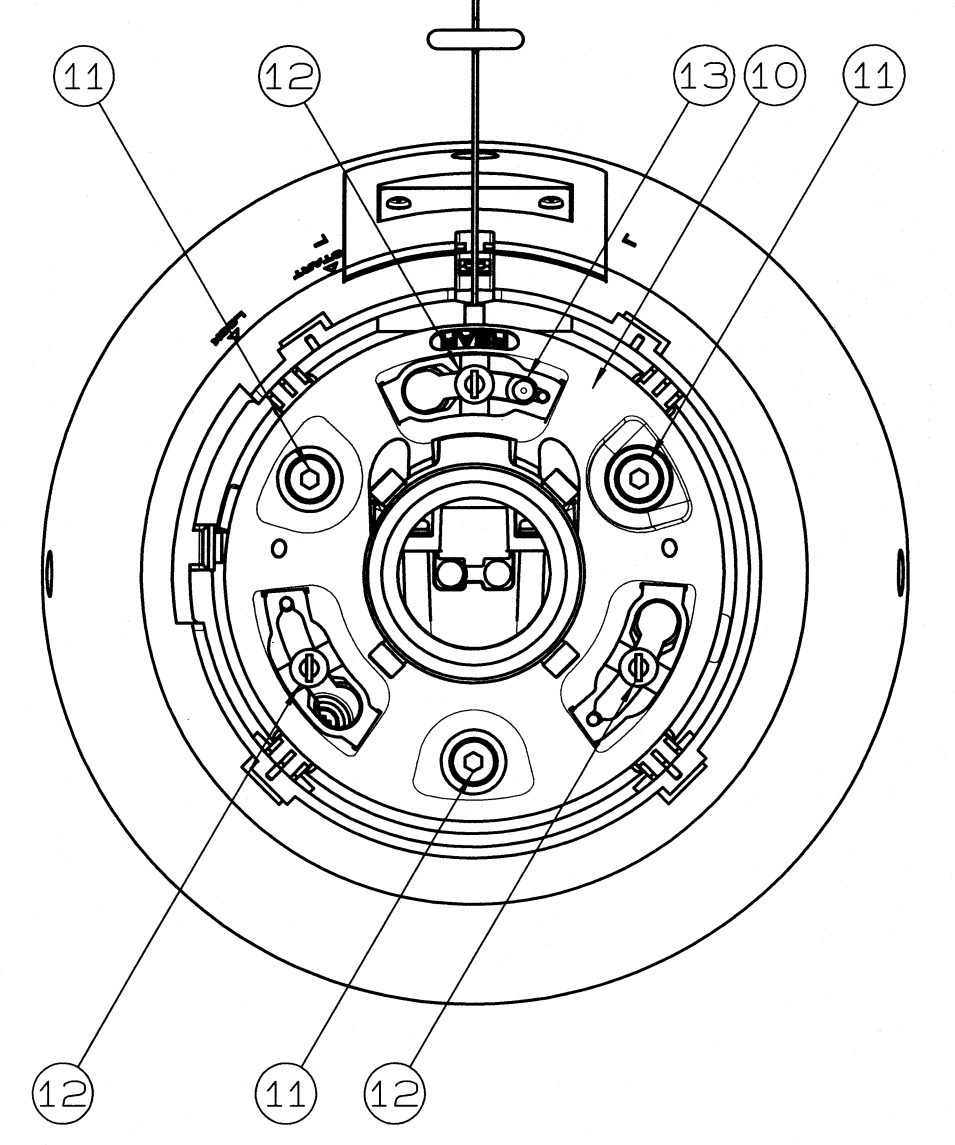
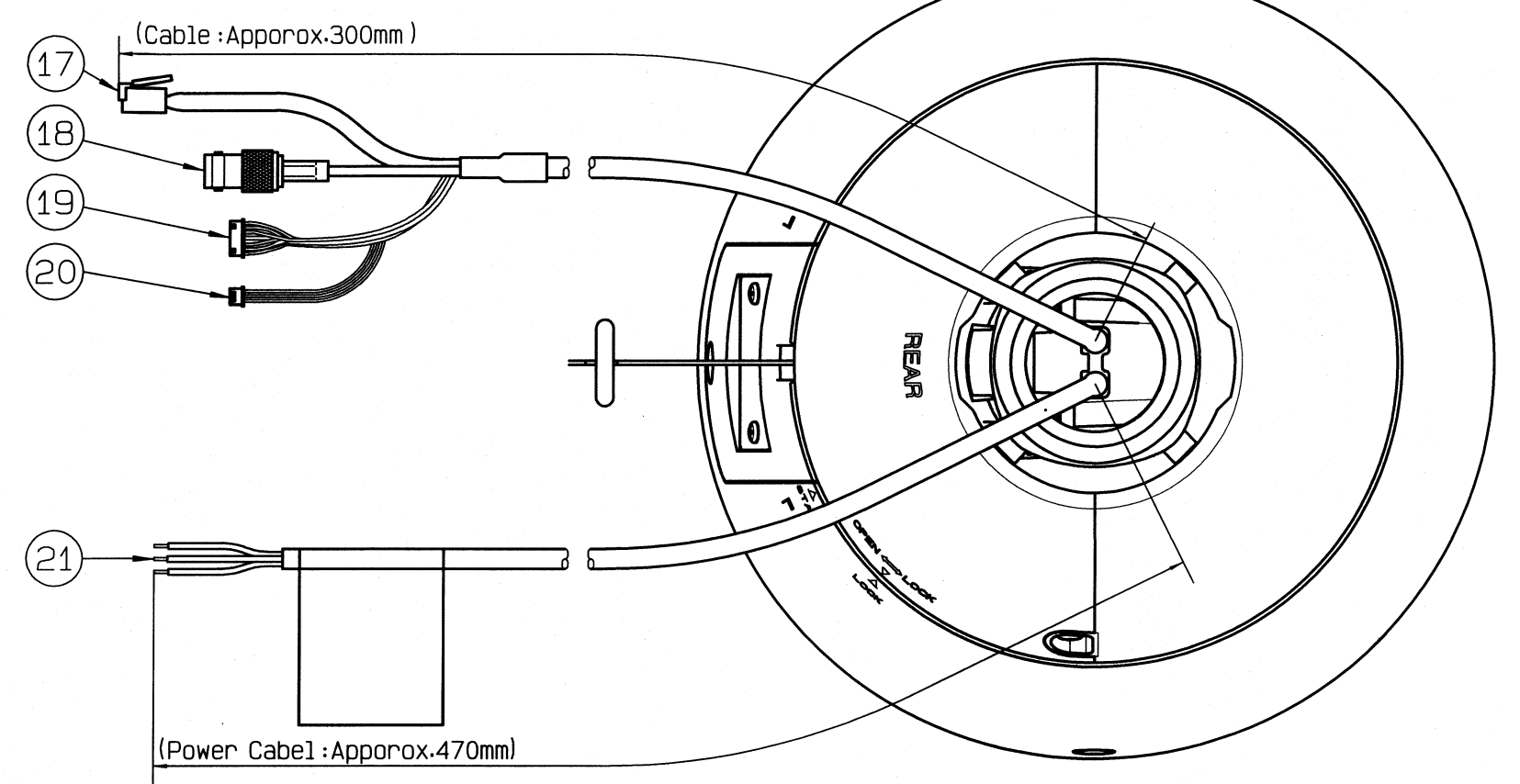


SYM	DATE	REVISION	SIGNED	CHECKED
△				
△				
△				

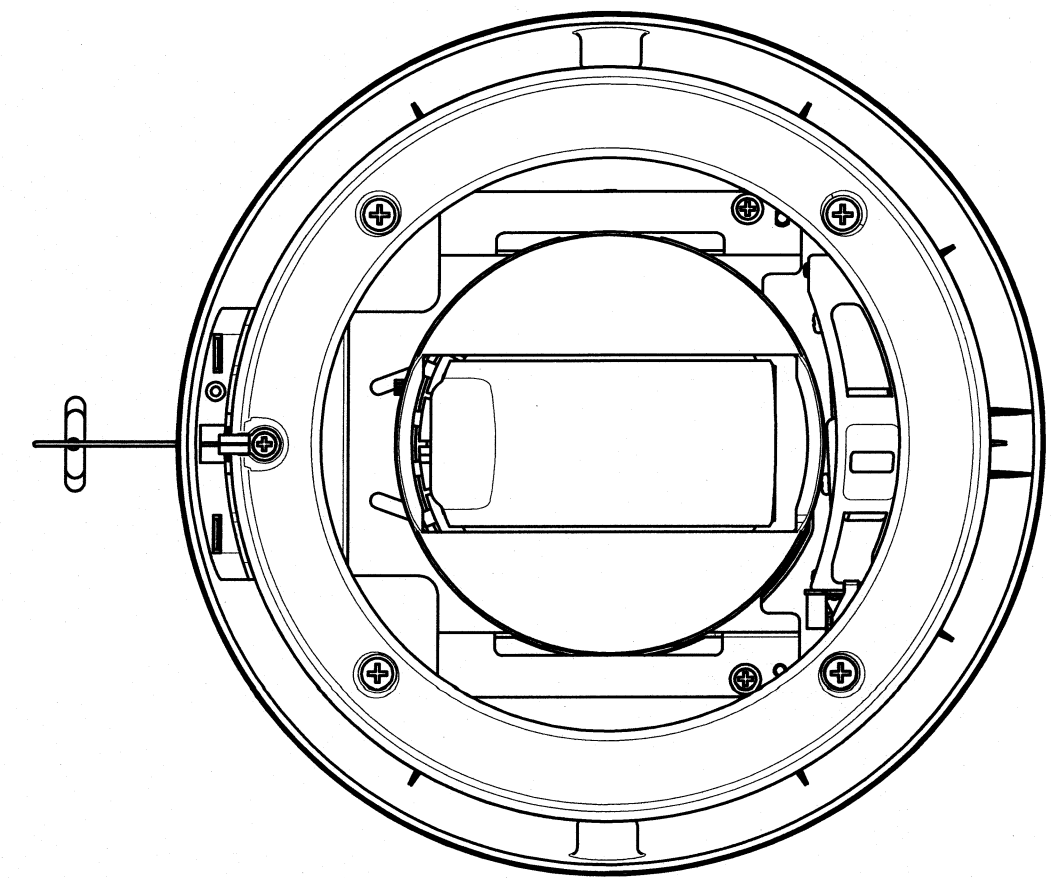
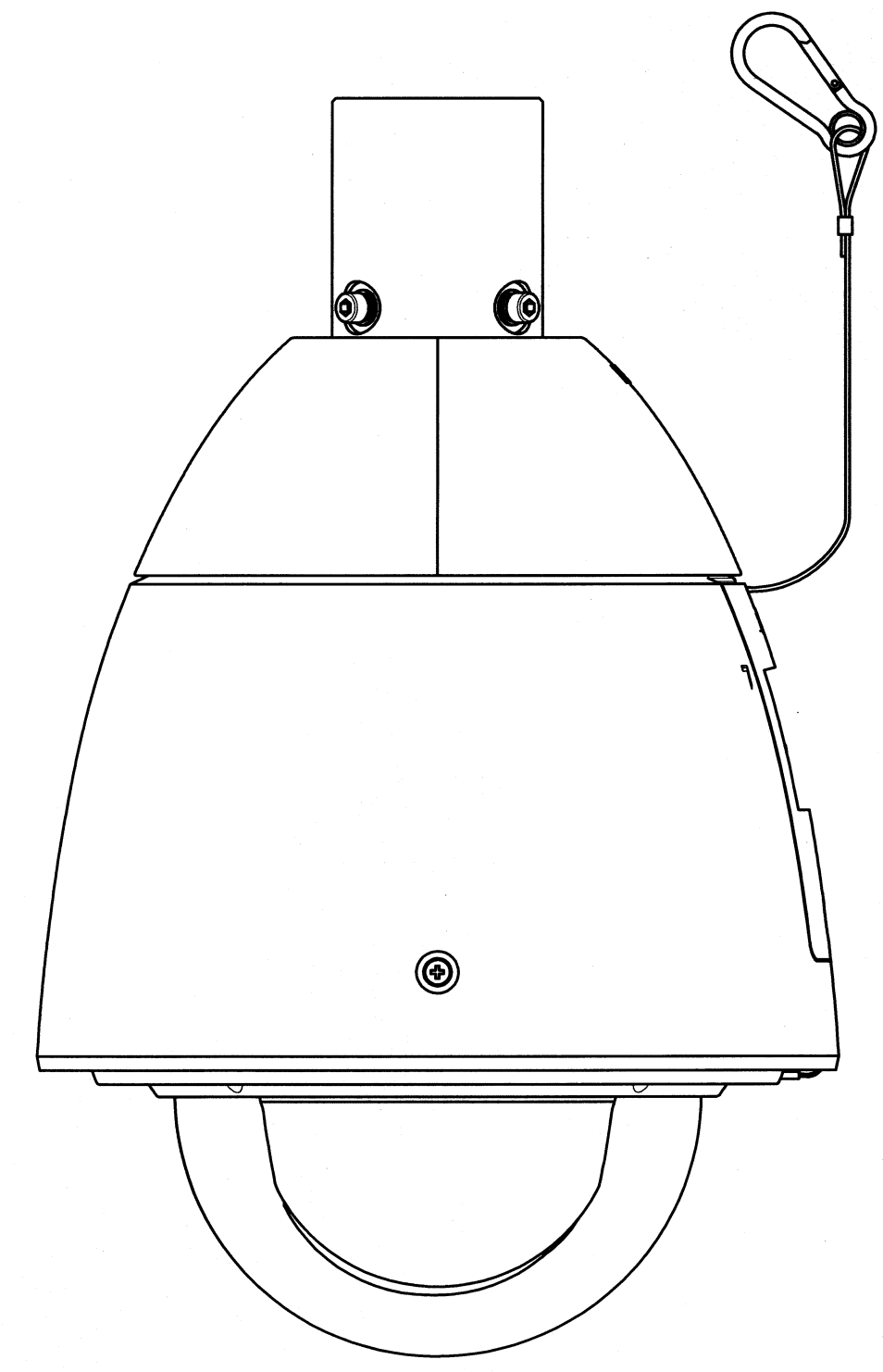
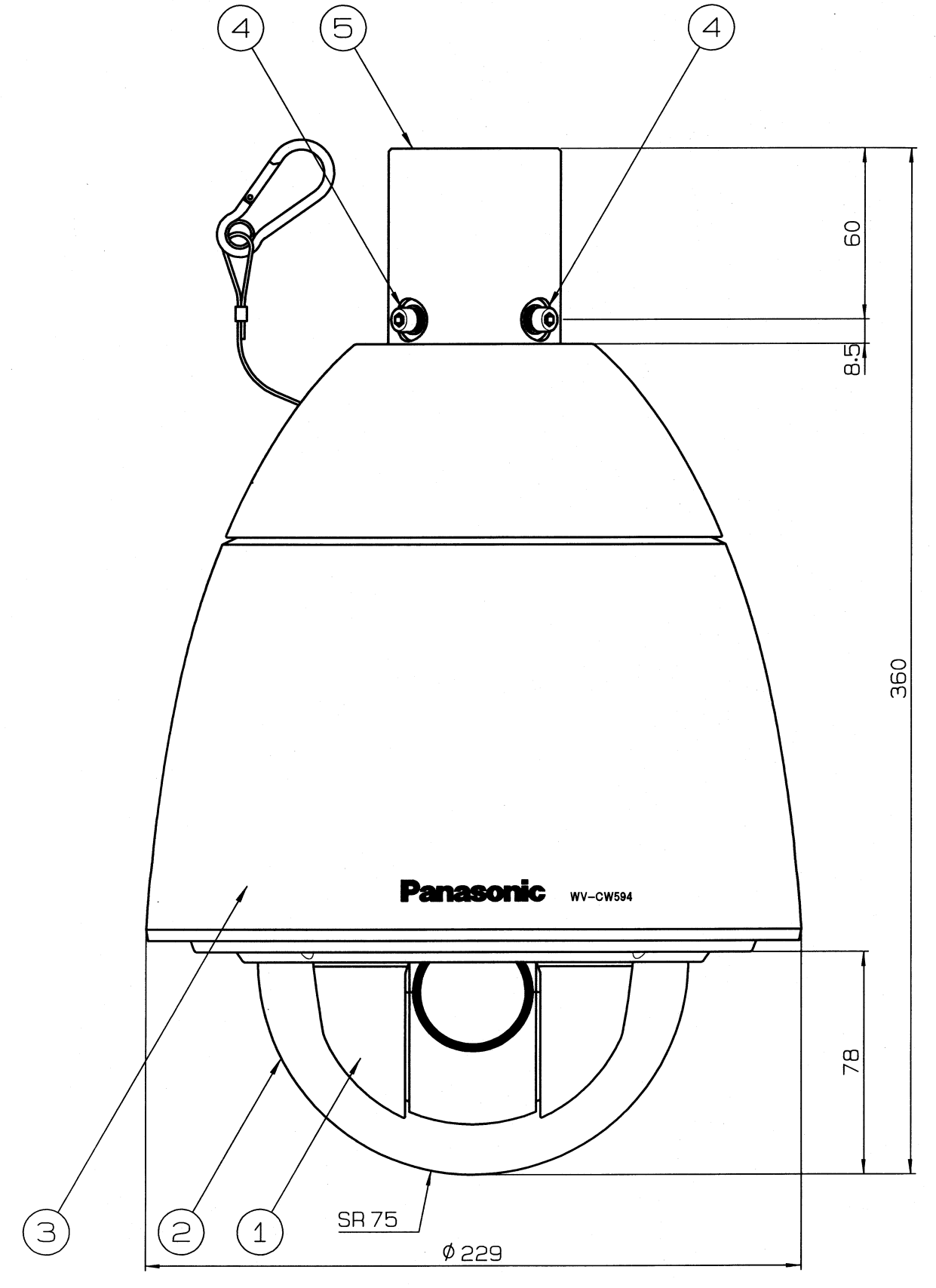
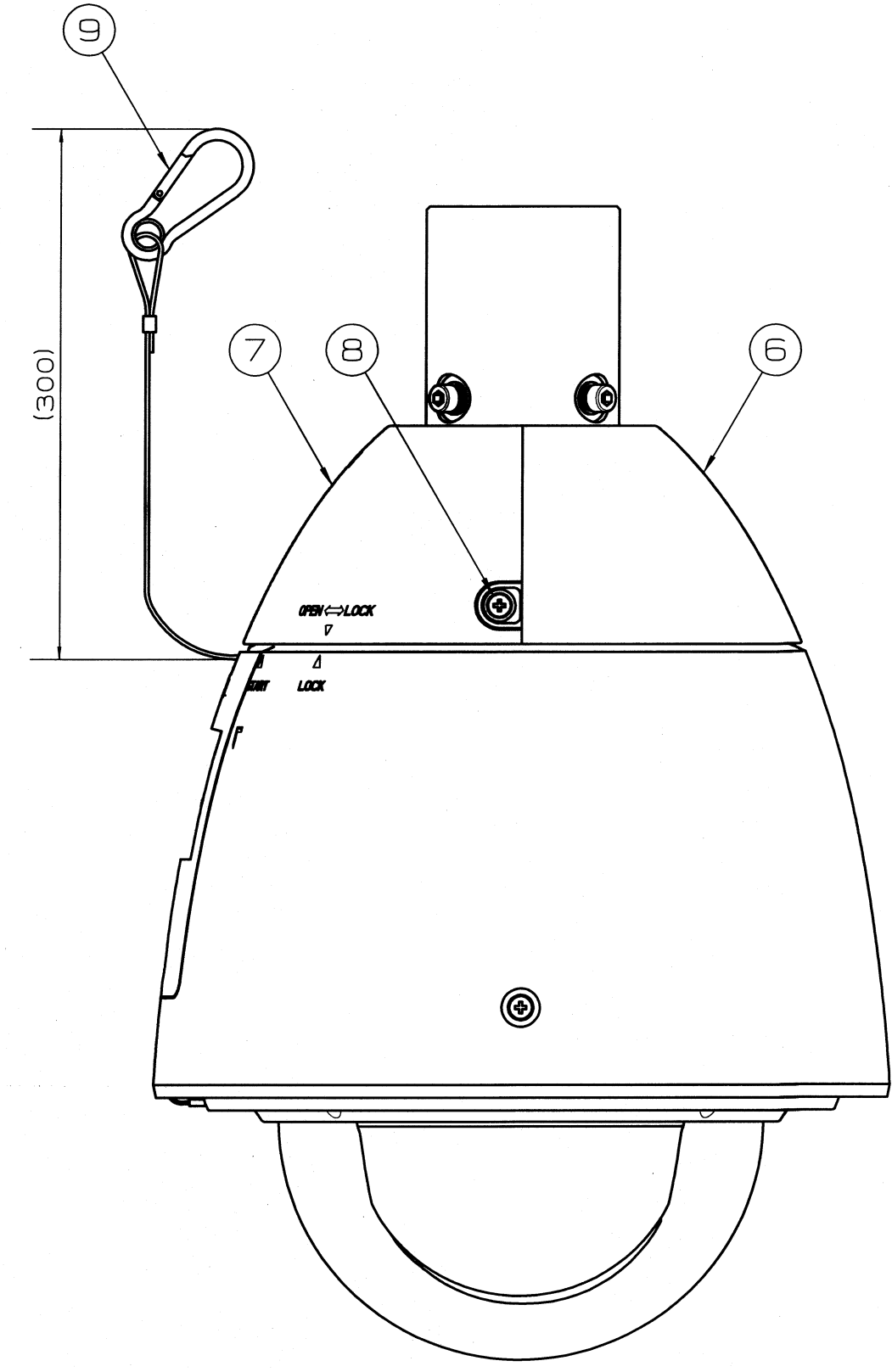
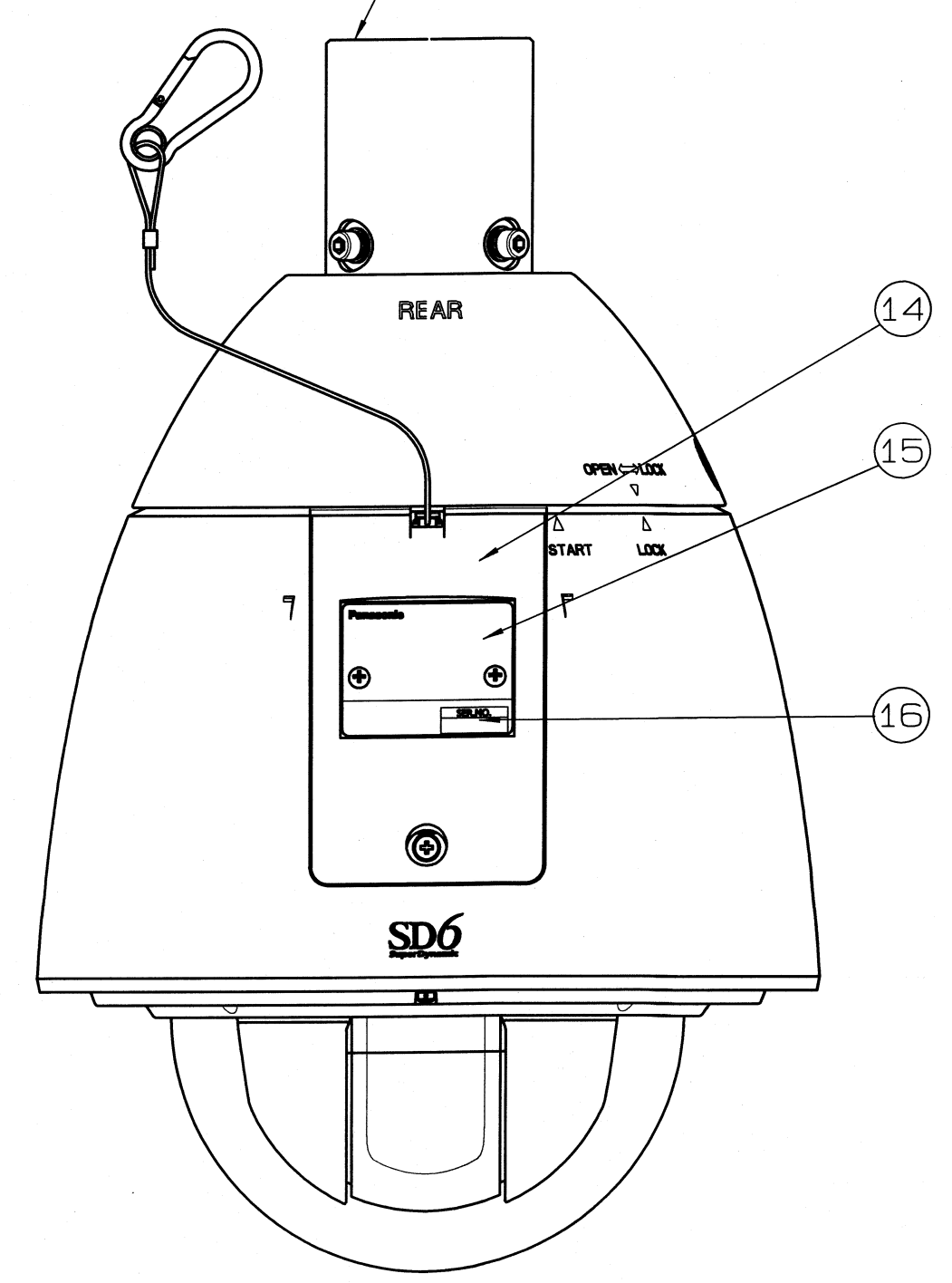
No.	Part Name	Material	Process	Remark
1	Color CCTV Camera Unit			
2	Dome Cover	Polycarbonate Resin		
3	Sun Shield	ASA Resin	Coating(Fine Silver)	
4	Bracket Fixing Screw	Stainless Steel M5 4Screw		
5	Attachment Pipe	Aluminium Alloy Diecasting	Coating(Fine Silver)	
6	Sun Shield Up-Front	ASA Resin	Coating(Fine Silver)	
7	Sun Shield Up-Rear	ASA Resin	Coating(Fine Silver)	
8	Sun Shield Fixing Screw	Stainless Steel M4		
9	Camera Safety Wire	Stainless Steel		
10	Upper Base	Aluminium Alloy Diecasting	Coating(Fine Silver)	
11	Housing Fixing Screw	Stainless Steel M6 3Screw		
12	Mounting Guide Pin	Stainless Steel		
13	Position Landmark Pin	Aluminium Alloy Diecasting		
14	Sun Shield Rear	ASA Resin	Coating(Fine Silver)	
15	Name Plate	Aluminium Alloy t=0.5	Printing	
16	SER Label	Aluminium Vapor Deposition Film	Printing	
17	Data Port Connector			
18	Video Output Connector			
19	Alarm Input Connector			
20	Alarm Output Connector			
21	Power Cable			

*Remove the sun shield up



R1-1/2 .11crest
(Tapered Pipe Thread)

Rp1-1/2 .11crest Depth 30MAX
(parallel Pipe Thread)



重要図面配布
CONTROLLED COPY
年 月 日
技術部門

REMARK		Weight		MODEL
		Approx. 4.5kg		WV-CW594E
SCALE		MATERIAL & SIZE		APPEARANCE
1 : 2	DESIGNED	DRAWN	CHECKED	APPROVED
	Uchida	Matsunaga		(Signature)
	10-11-04	10-11-04		
DRAWING/Part NO.				110A2832AA
REF.NO.				

File names: /tuchtab/wv-cw594/ssp-cn590

SYM	ITEM OR PARTS NO.	NAME	QTY	MATERIAL & SIZE	TREATMENT	REMARK
	1					
	2					
	3					